

Global™ van +
user's guide

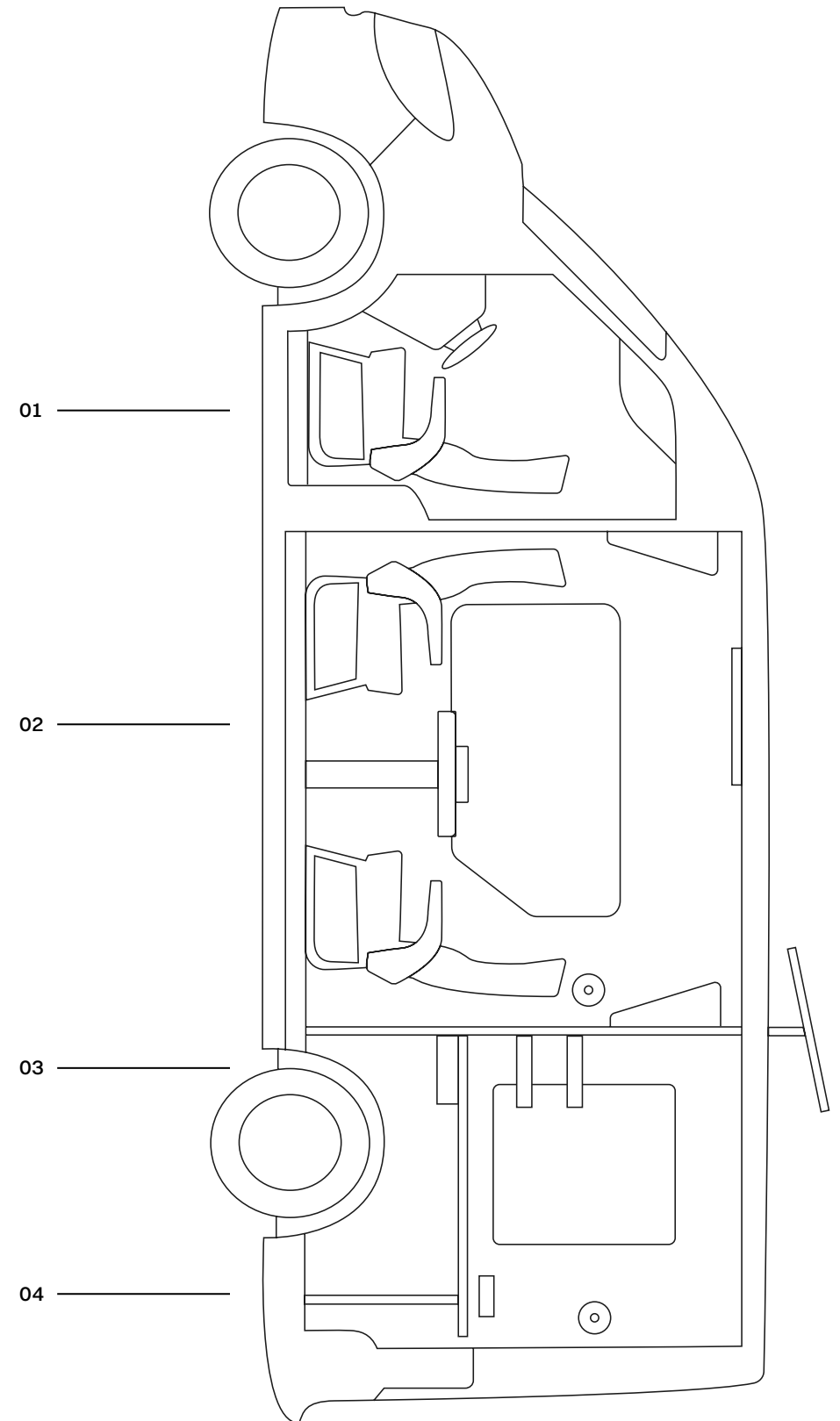




Table of Contents

The Global™ van+ offers all the amenities to have a complete mobile production space. In the same cabin you will find a workspace and relaxation, at the back of the vehicle a hair & makeup box equipped awaits you. The fully modular workspace can be used as an office, van or lodge. The van+ also offers a broadband connection anywhere using its StarLink antenna.

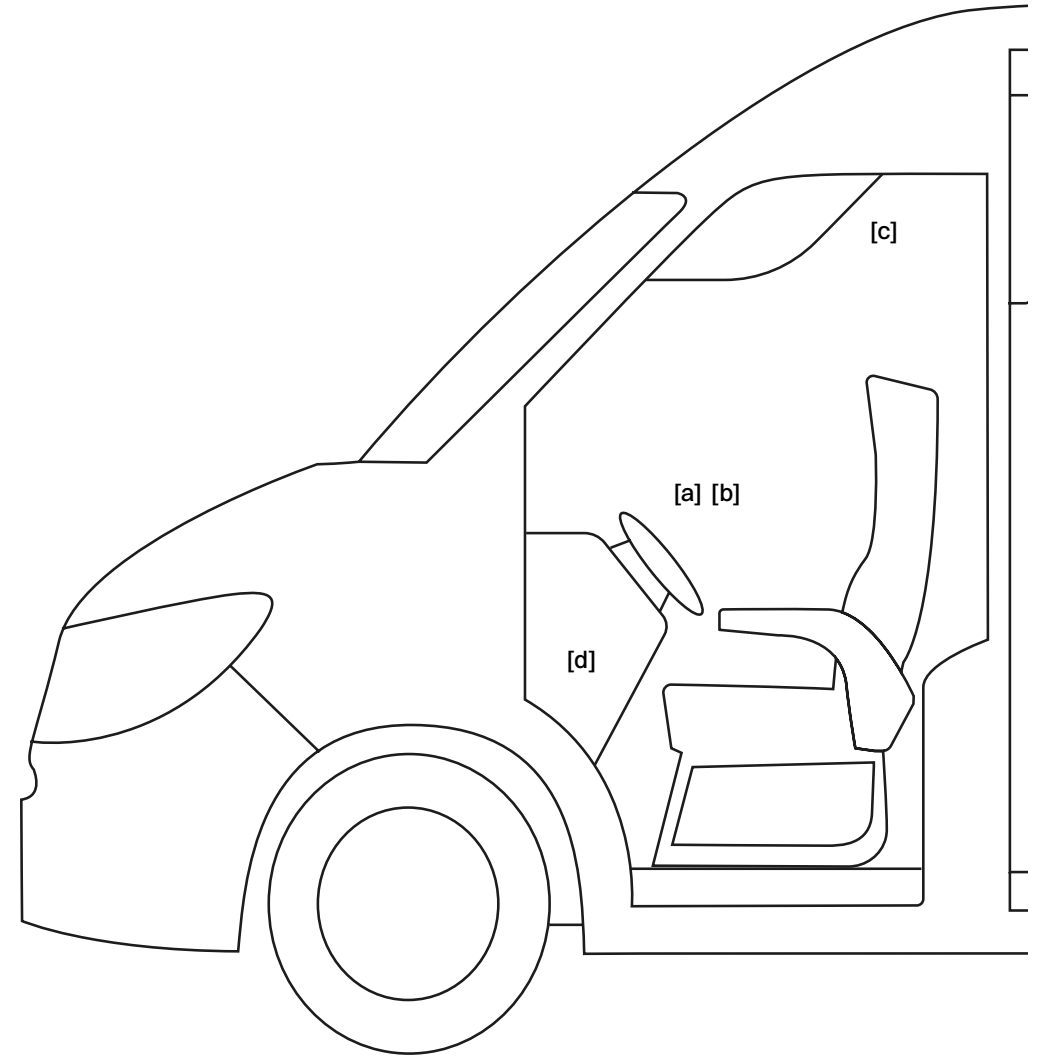
01	Driver's seat	p. 06
02	Modular Space	p. 14
03	Hair&Makeup service	p. 24
04	Technical and Accessories	p. 34



Driver's seat

[a]
[b]
[c]
[d]
[e]

Vehicle Height	p. 08
Run Lock option	p. 08
Media Operation	p. 08
Reversible Air Conditioning	p. 10
Removable Accessories	p. 12



Driver's seat

[a] Vehicle height

The maximum height of the vehicle is 2.80 meters. You will find an indication on the side of the steering wheel.

[b] Run Lock option

The Run Lock option allows you to keep the truck engine running even after removing the keys from the ignition.

It can be activated by pressing the button with the same name. Do not activate the Run Lock if the engine is not running, as it could drain the main battery.

[c] Media operation

Step 01: Ensure the ignition is engaged and press the «General Cut Off» and «Sono» buttons located above the driver's cabin.

Step 02: To turn on the Apple TV, press the «Menu» button on the remote control or push the button situated under the screens.

Step 03: To use the soundbar, press and hold the power button on the remote control.

Information about sound system connection: The driver can play music from the bluetooth of the car, for the production areas the music can be played by connecting your device to the Apple TV. Note that both cannot be playing



Driver's seat

[01] Yellow jacket

Nine yellow vests are located in the holder above the driver's seat.



[02] Medical kit

It is located in the driver's door pocket and includes:
A breathalyzer, Band-aids, Adhesive tape, Scissors
An emergency blanket, Gloves, Dressings



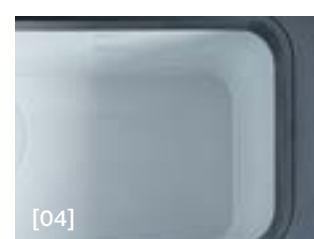
[03] Warning triangle

A warning triangle is located in the passenger door. It should be used in case of incidents on the road.



[04] Refrigerator

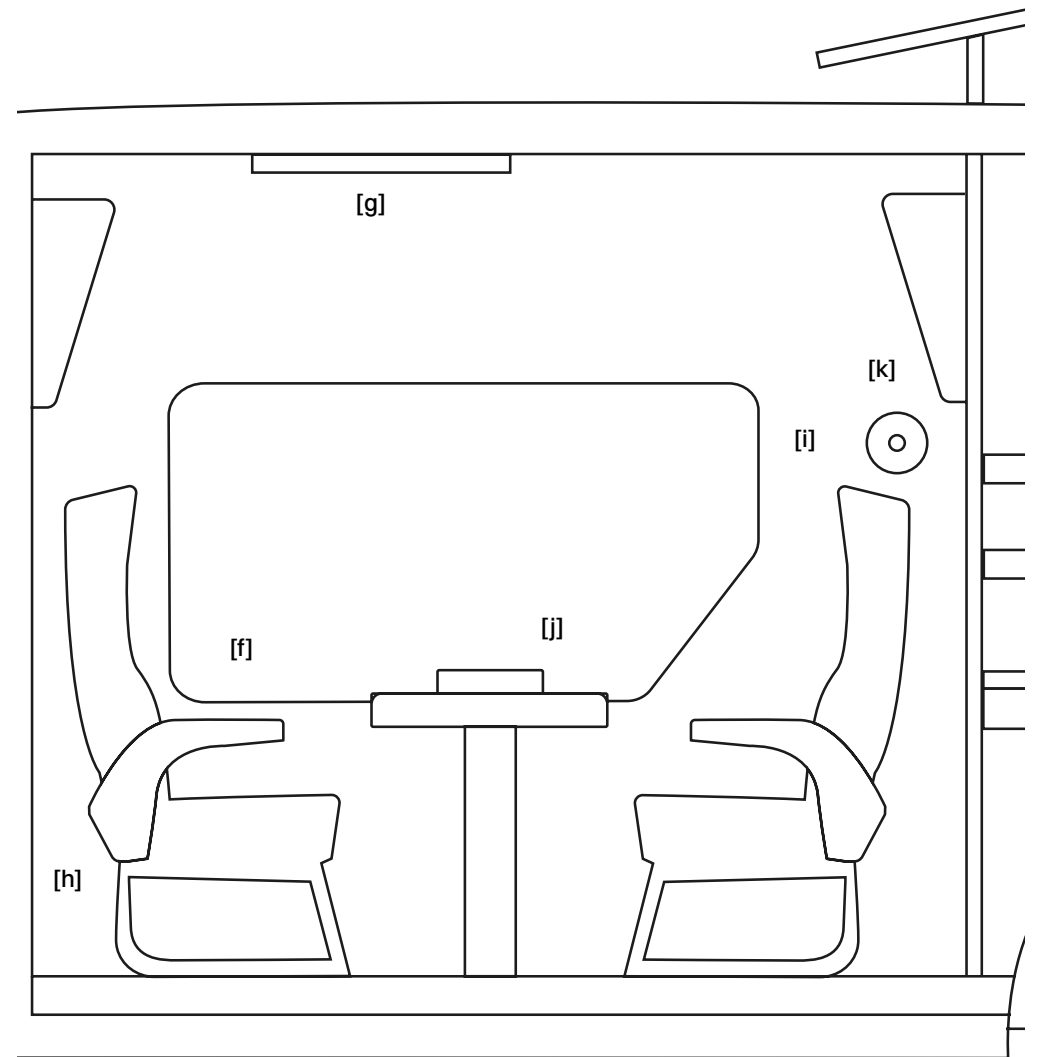
The refrigerator is located between the two seats in the cockpit. Use the button on the back to turn it on and adjust the temperature.



Modular space

[f]
[g]
[h]
[i]
[j]
[k]
[l]

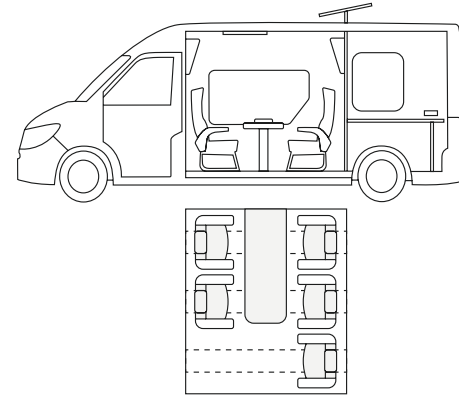
Remote control	p. 18
Opening roof	p. 18
Refrigerator	p. 20
Wifi	p. 20
Tablet block	p. 22
Speakers	p. 22
Removable Accessories	p. 24



Modular space

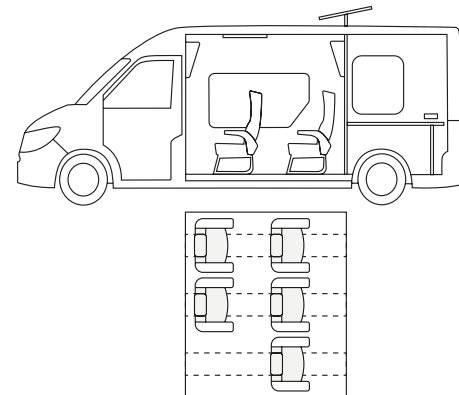
Office setup

In this configuration, you have 5 belted seats and a work table. This setup allows you to have a mobile office or a relaxation space.



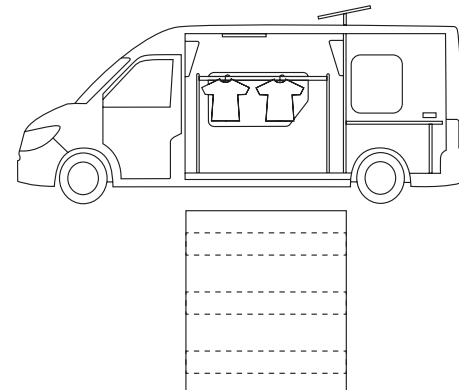
Minibus setup

If needed, the Global van+ can be configured as a minibus. This allows you to transport your team to various locations for your project.



Modular setup

Finally, the van can be customized according to your needs with the desired number of seats between 0 and 5. You can also install garment racks or a production table when the vehicle is stationary.



Modular space

faire sauter les télécs noirs
A VERIFIER

[f] Remote control

[01] Screens remote control
[02] Apple TV
[03] Air conditioning



[g] Opening roof

Opening roof with multiple levels of shading



Modular space

[i] Wifi

Scan the QR code on board to connect to the Wi-Fi.

VAN_GLOBAL_03
Global03



Modular space

[j] Table block

- [01] Wireless charger
- [02] 220V socket
- [03] HDMI socket
- [04] USB A and C sockets
- [05] Dimmer for window opacity
- [06] Lighting



[k] Speaker

Wall-mounted speakers are present in various spaces of the vehicle and are directly connected to the connected screens. They can be controlled through the vehicle's dashboard or the Apple TV system.

A REVOIR APRES LE RDV AVEC SEBASTO



Modular space

[01] Heater

A heating vent is located in the corner of the modular space.



[02] Remote control pouch

Zippered pouch attached to the wall to the right of the screen.



[03] Extincter

An small fire extinguisher is located next to the side door in a recess.

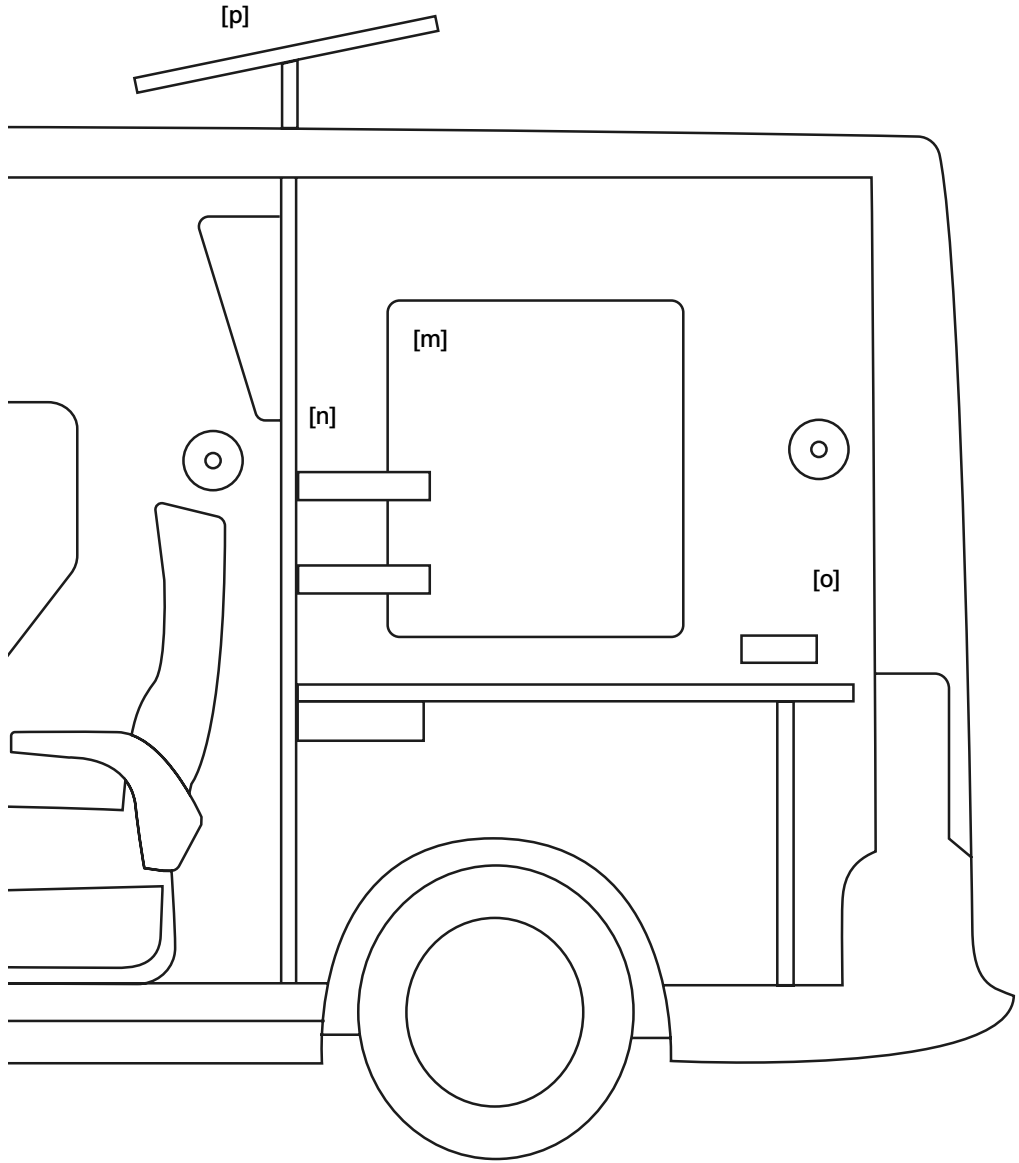


Hair & make up

[m]
[n]
[o]
[p]
[q]

Makeup mirror
Mobile garment rack
Opacifying glass
StarLink antenna
Accessories

p. 28
p. 30
p. 30
p. 32
p.34



Hair & make up

[m] Makeup mirror

The mirror is located at the rear of the van, the intensity and temperature of the light are adjustable.

[01] On/off switch

[02] Color change dimmer

[03] Brightness dimmer

[04] Lower light strip switch



Hair & make up

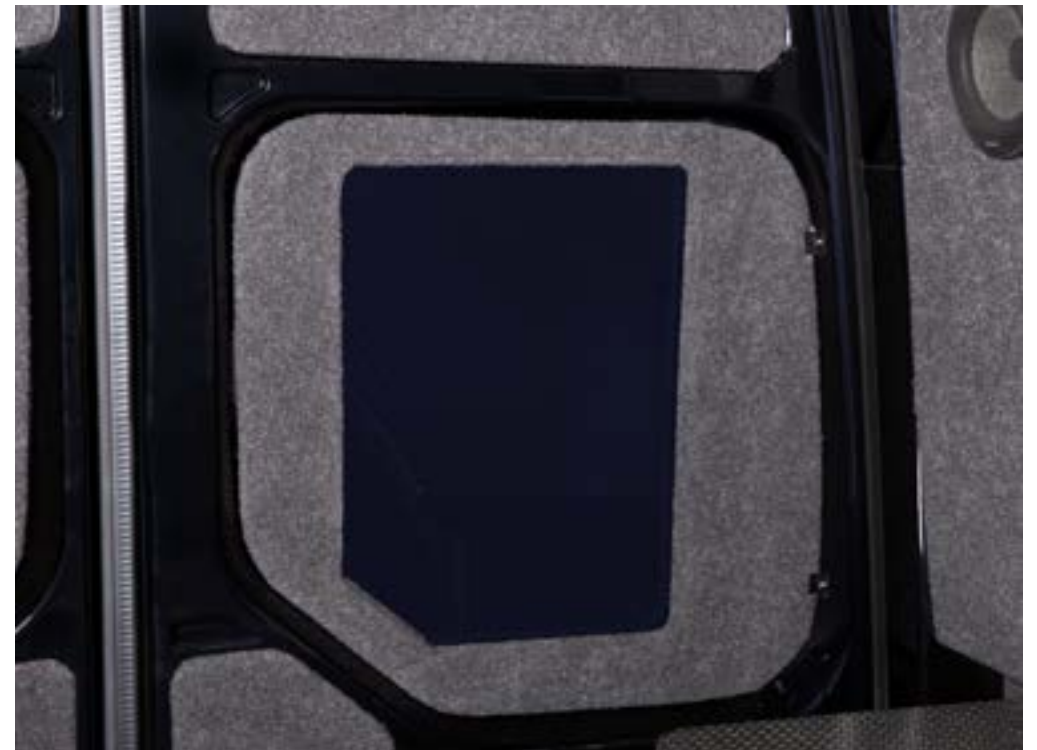
[n] Removable clothes rack

A removable clothes rack is located at the rear of the vehicle in the HMU area. The bar is placed directly on the fixtures above the rear doors. It can be used with both open and closed doors.



[o] Opaque glass

An opaque glass can be activated for the needs of your models. The switch is located just to its right.



Hair & make up

[p] Reversible air conditioning

Use the right arrow to navigate through the different settings. The four air vents can be adjusted manually.

1. Auto Power On
2. Auto Power Off
3. Drying System
4. Cyclically Pump
5. Settings
6. Exit



Hair & make up

[q] Starlink system

The Global van+ is equipped with the Starlink system, providing high-speed internet connection with the assurance of full coverage even in remote locations. The QR codes inside the van enable a quick connection.



Hair & makeup

[01] Steamer

Located in a pouch under the makeup table. To be used with the truck engine running.



[02] Hairdryer

Located in a pouch under the makeup table. To be used with the truck engine running.



[03] Stool

An adjustable-height stool is located in the makeup area.



[04] Shelves

Two shelves are located near the HMU Mirror to accommodate your accessories.



[05] Laundry kit

Composed of 2 towels and a bath mat.



[06] Universal power outlets

Universal power outlets are located on each side of the makeup mirror.



Hair & makeup

[07] Bin

A trash bin is located next to the door leading to the modular space.



[08] Cupboard

A cupboard for storing personal belongings is located above the technical cabinet.



[09] Pouch

A pouch is located right next to the mirror.



[10] Vacuum cleaner

Dyson vacuum cleaner is located under the HMU table.



[11] Storage net

A storage net is located on the right rear door of the vehicle.



[12] Wireless charger

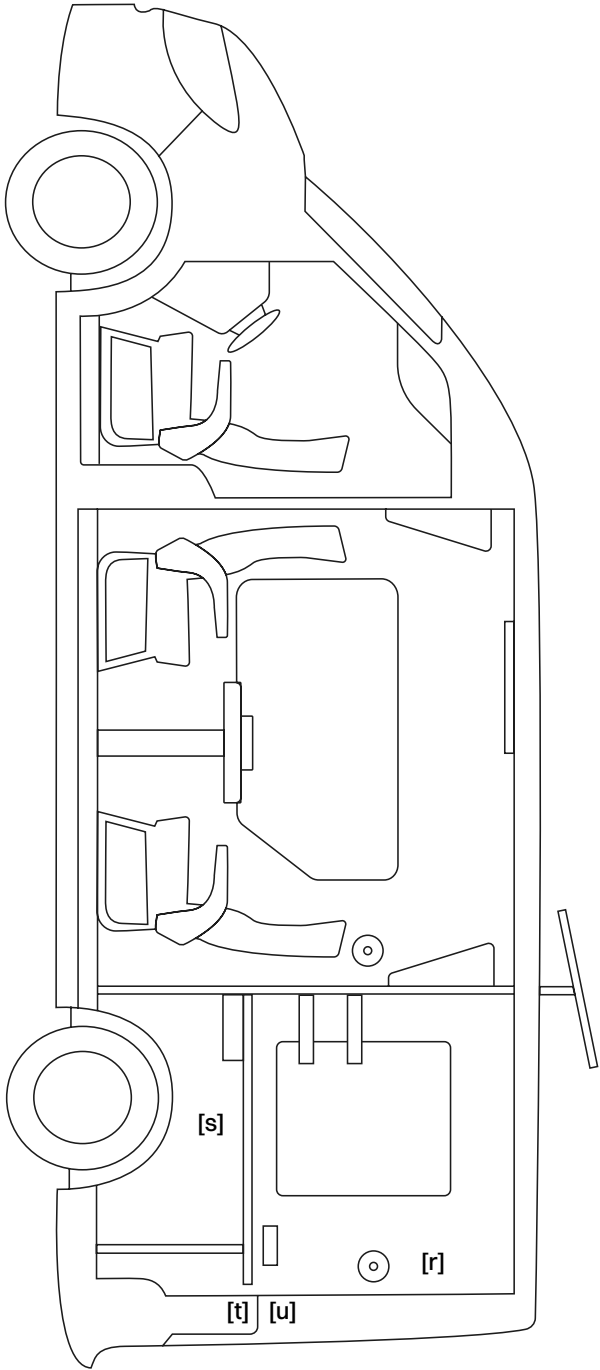
An induction wireless charger is located on the HMU table.



Technical and Accessories

[r]
[s]
[t & u]

Power consumption p. 40
Batteries p. 40
External Charging p. 42
Accessories p. 44



Technical and Accessories

[r] Power consumption

The screen is located at the rear of the vehicle near the rear doors and shows the battery usage level. The arrows are used to navigate through detailed menus of power consumption.



[s] Batteries

The batteries of the vehicle are located in the technical cabinet of the HMU area.



Technical and Accessories

[t] External charging of the air conditioning

The air conditioning tank hatch is located at the rear of the vehicle on the driver's side. It opens with a key present on the keychain of the vehicle. Right next door, the electrical connection is used with the cable present in the technical cabinet of the vehicle.



[u] Water for air conditioning

The water for the climate control system is conveniently housed in the technical closet of the vehicle.





Removable Accessories

- 01 First aid kit
- 01 Fire extinguisher
- 8 Yellow vests + 1 warning triangle
- 01 Document holder
- 01 User manual
- 01 Vacuum cleaner (mini Dyson + accessories)
- 01 Bath mat
- 02 Towels
- 01 Hair dryer + pouch
- 01 Steamer + Pouch
- 03 Multimedia remotes
- 08 Metal cups
- 01 Makeup stool

